

# **ILLUSTRATED PARTS LIST**

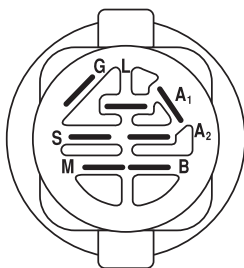
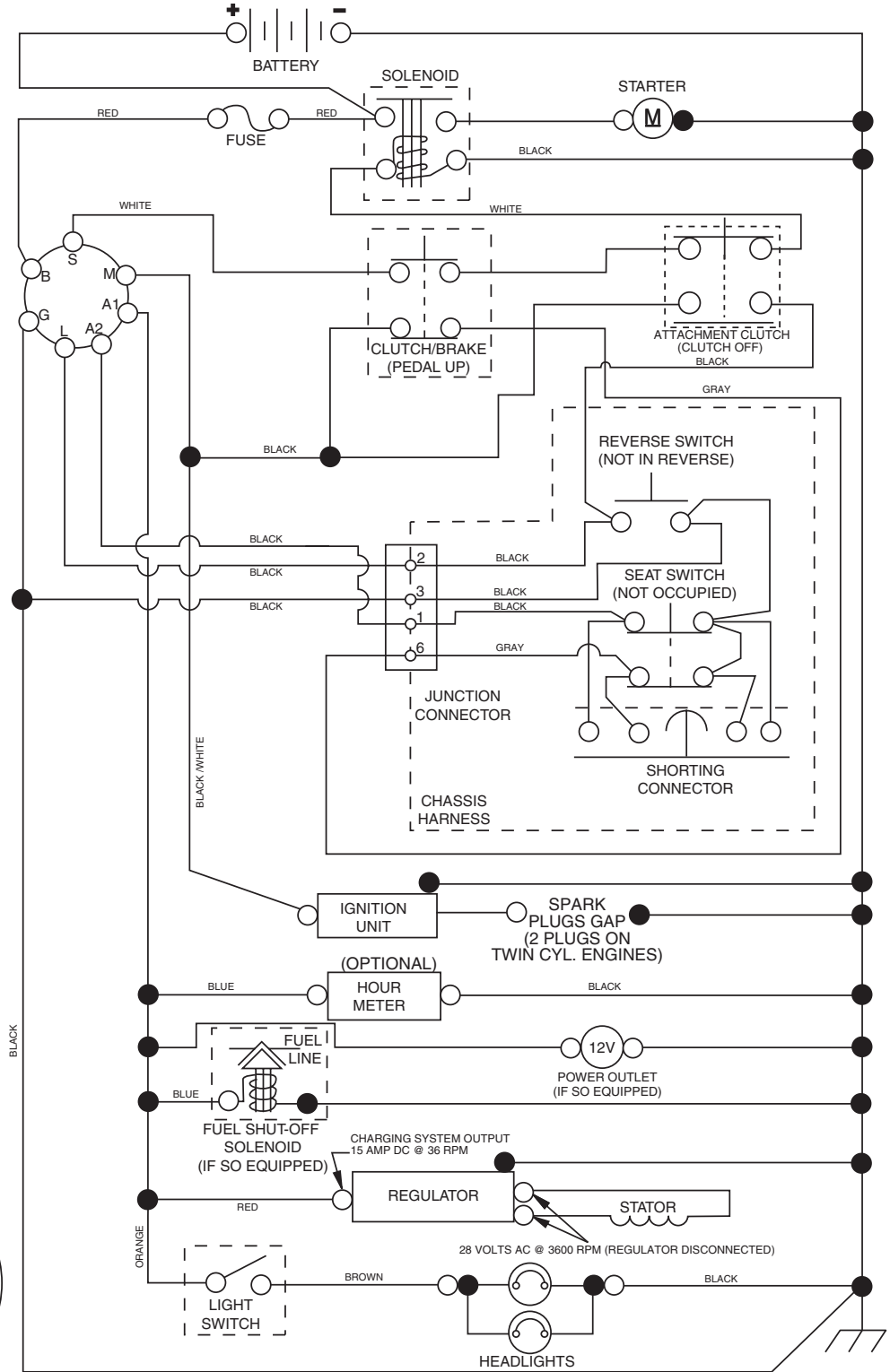
**MODEL NO. 96041006100**

**CUSTOMER CATALOG NO. P145107**

**PRODUCT NO. 960 41 00-61**

# TRACTOR - - MODEL NO. P145107 (96041006100), PRODUCT NO. 960 41 00-61 SCHEMATIC

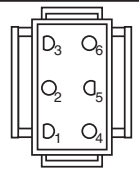
03101-194276-400449\_Manual-Tex



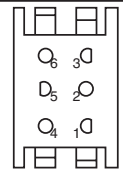
**IGNITION SWITCH**

POSITION	CIRCUIT	"MAKE"
OFF	M+G+A1	
RUN/OVERRIDE	B+A1	
RUN	B+A1	L+A2
START	B + S + A1	

03101



CHASSIS HARNESS CONNECTOR (MATING SIDE)



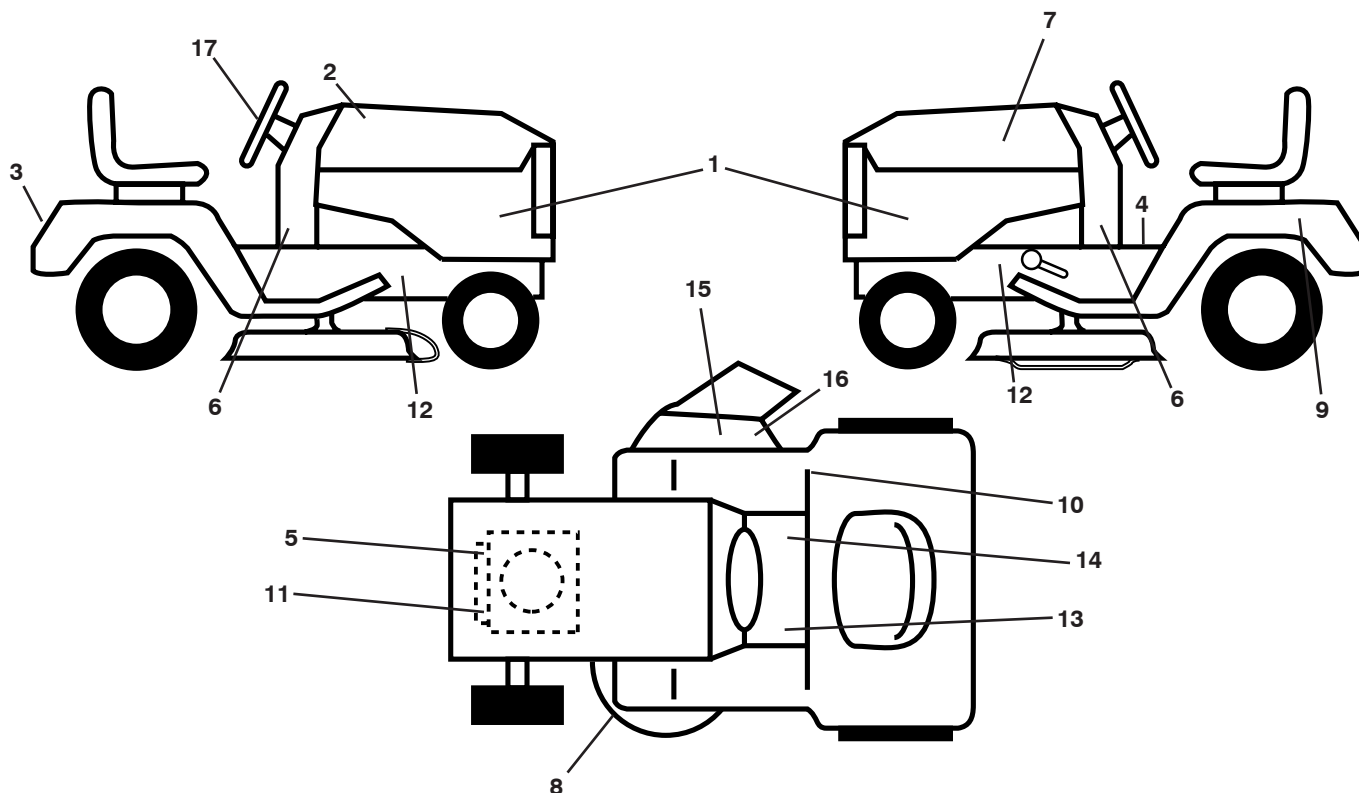
DASH HARNESS CONNECTOR (MATING SIDE)

**WIRING INSULATED CLIPS**  
**NOTE:** IF WIRING INSULATED CLIPS WERE REMOVED FOR SERVICING OF UNIT, THEY SHOULD BE REPLACED TO PROPERLY SECURE YOUR WIRING.

●  
NON-REMOVABLE CONNECTIONS

○  
REMOVABLE CONNECTIONS

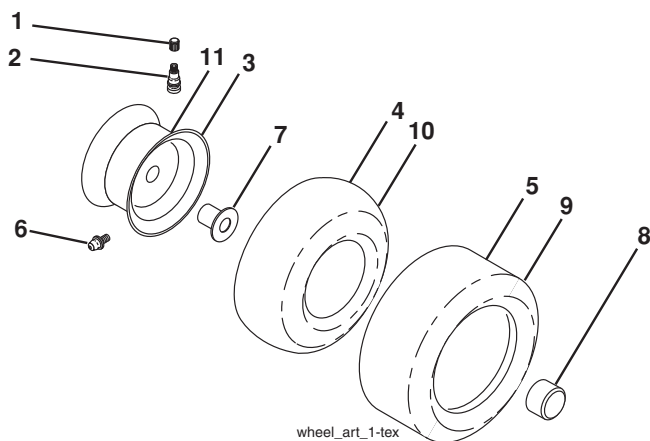
**TRACTOR - - MODEL NO. P145107 (96041006100), PRODUCT NO. 960 41 00-61  
DECALS**



KEY NO.	PART NO.	DESCRIPTION
1	532 41 06-45	Decal, Panel SD
2	532 40 81-81	Decal, Hood RH
3	532 41 06-46	Decal, Fender
4	532 40 03-89	Decal, Oper/Wrng.
5	532 40 88-16	Decal, Engine HP
6	532 18 56-51	Decal, Chassis Turbo
7	532 40 81-83	Decal, Hood LH
8	532 16 03-96	Decal, V-Belt Schematic
9	532 14 50-05	Decal, Battery Dnge/Poi
10	532 18 04-32	Decal, Fender 100 DB/CE
11	532 19 68-41	Decal, Warning Eng. Syms.
12	532 15 97-36	Decal, Chassis Hot Muffler

KEY NO.	PART NO.	DESCRIPTION
13	532 15 97-37	Decal, Brake/Clutch Sym
14	532 14 08-37	Decal, Saddle Brake Parking
15	532 18 21-66	Decal, Cutfinger CE
16	532 19 63-57	Decal, Deflect Wrn Cutfinger Sym
17	532 40 80-55	Decal, WHL. STR.
--	532 16 25-98	Decal, Drawbar Load Limit
--	532 40 95-05	Pad, Footrest, LH
--	532 41 12-73	Pad, Footrest, RH
--	532 41 07-00	Manual, Operator's (Euro)
--	532 41 07-01	Manual, Operator's (Scan)
--	532 41 19-83	Manual, Operator's (E-Bloc)
--	532 41 19-84	Manual, Operator's (Baltic)

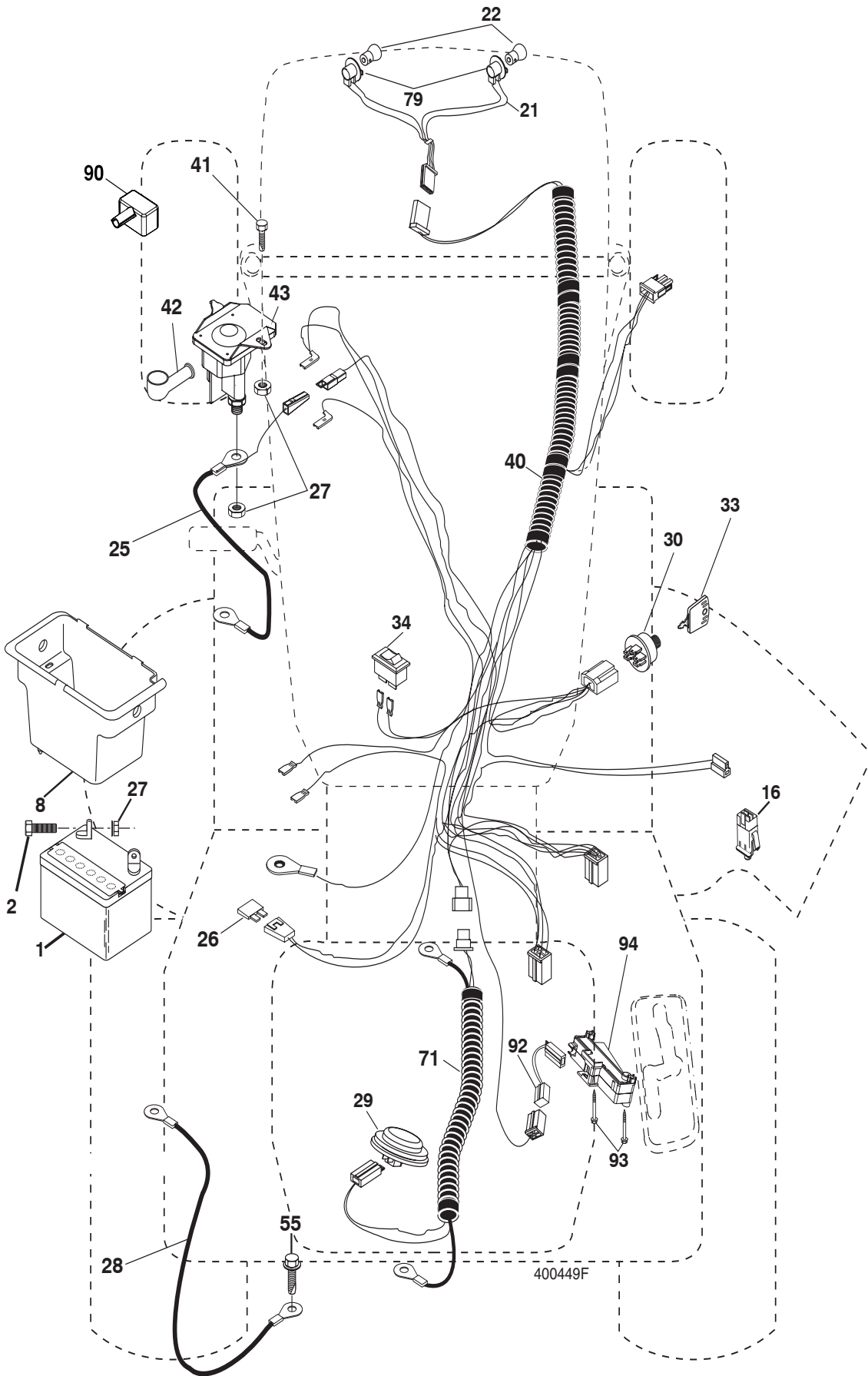
**WHEELS AND TIRES**



KEY NO.	PART NO.	DESCRIPTION
1	532 05 91-92	Cap, Valve, Tire
2	532 06 51-39	Stem, Valve
3	532 12 51-21	Rim Assembly, Front
4	532 05 99-04	Tube, Front
5	532 12 41-57	Tire, Front
6	532 12 49-57	Fitting, Grease
7	532 12 49-59	Bearing, Flange
8	532 17 50-39	Cap, Axle (Front Wheel Only)
9	532 12 39-69	Tire, Rear
10	532 12 49-26	Tube, Rear
11	532 12 51-22	Rim Assembly, Rear
--	532 14 43-34	Sealant, Tire (10 oz. Tube)

**NOTE:** All component dimensions given in U.S. inches  
1 inch = 25.4 mm

TRACTOR - - MODEL NO. P145107 (96041006100), PRODUCT NO. 960 41 00-61  
ELECTRICAL

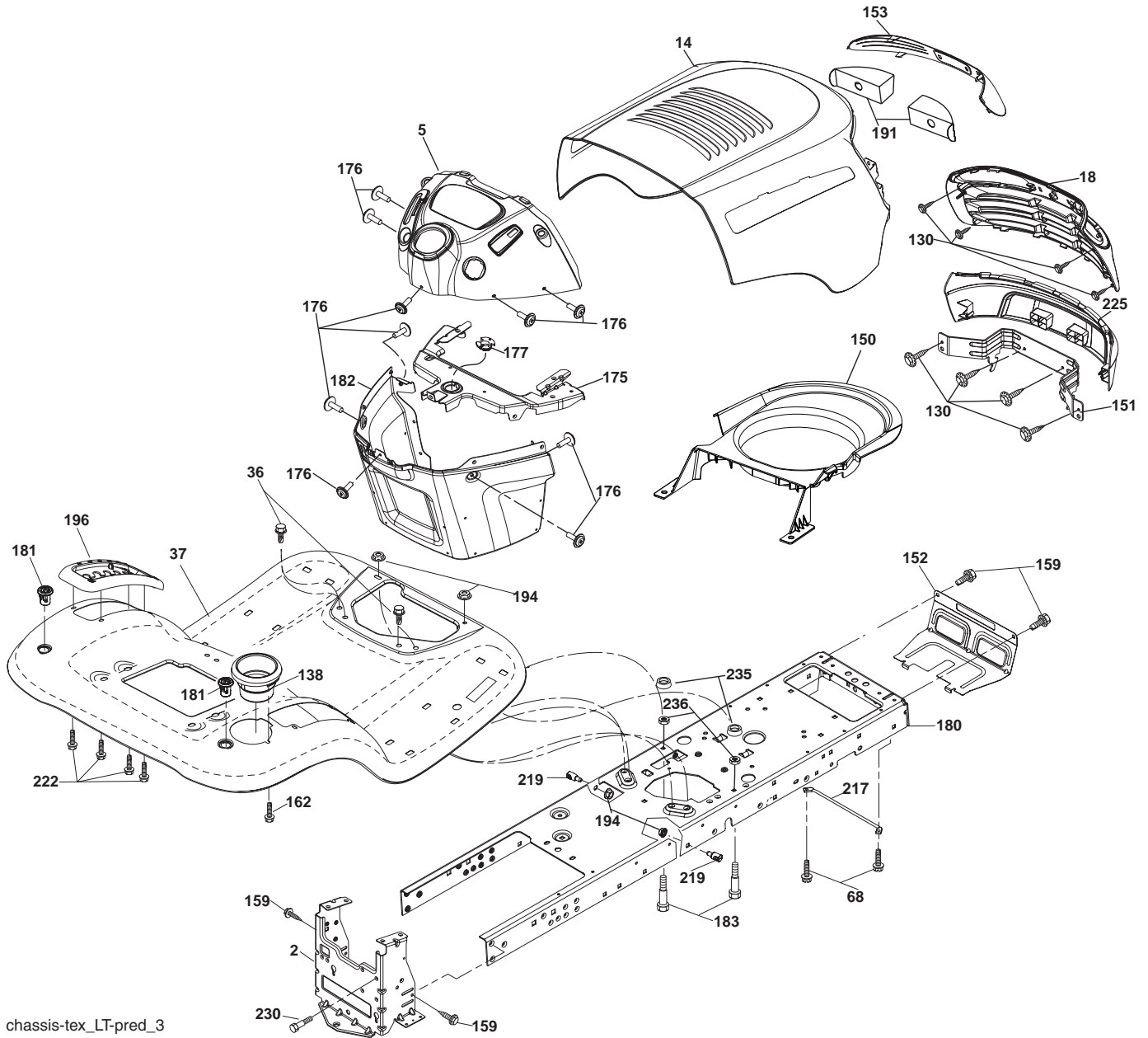


**TRACTOR - - MODEL NO. P145107 (96041006100), PRODUCT NO. 960 41 00-61  
ELECTRICAL**

<b>KEY NO.</b>	<b>PART NO.</b>	<b>DESCRIPTION</b>
1	532 16 34-65	Battery
2	874 76 04-12	Bolt Hex Hd 1/4-20 unc x 3/4
8	532 19 32-28	Box Battery
16	532 17 61-38	Switch Interlock Push-In
21	532 40 02-52	Harness Socket Light W/4152J
22	532 00 41-52	Bulb Light
25	532 40 16-62	Cable Starter
26	532 17 51-58	Fuse
27	873 51 04-00	Nut Keps Hex 1/4-20 unc
28	532 19 88-85	Cable, Ground
29	532 19 27-49	Switch, Seat
30	532 19 33-50	Switch, Ign
33	532 14 04-01	Key, Ignition
34	532 11 07-12	Switch Light / Reset
40	532 40 10-98	Harness Ign. Dash
41	817 72 04-08	Screw Thd Cut 1/4-20 x 1/2
42	532 13 15-63	Cover, Terminal
43	532 19 25-07	Solenoid
55	817 06 05-12	Screw Thdrol 5/16-18 x 3/4 TYTT
71	532 40 04-49	Harness Ign.
79	532 17 52-42	Bulbholder Asm. Incandescent
90	532 40 07-25	Cover Terminal Battery
92	532 19 66-15	Harness Pigtail
93	532 19 25-40	Screw Plastite 10-14 x 2.0
94	532 19 18-34	Module Reverse ROS

**NOTE:** All component dimensions given in U.S. inches  
1 inch = 25.4 mm

**TRACTOR - - MODEL NO. P145107 (96041006100), PRODUCT NO. 960 41 00-61  
CHASSIS**



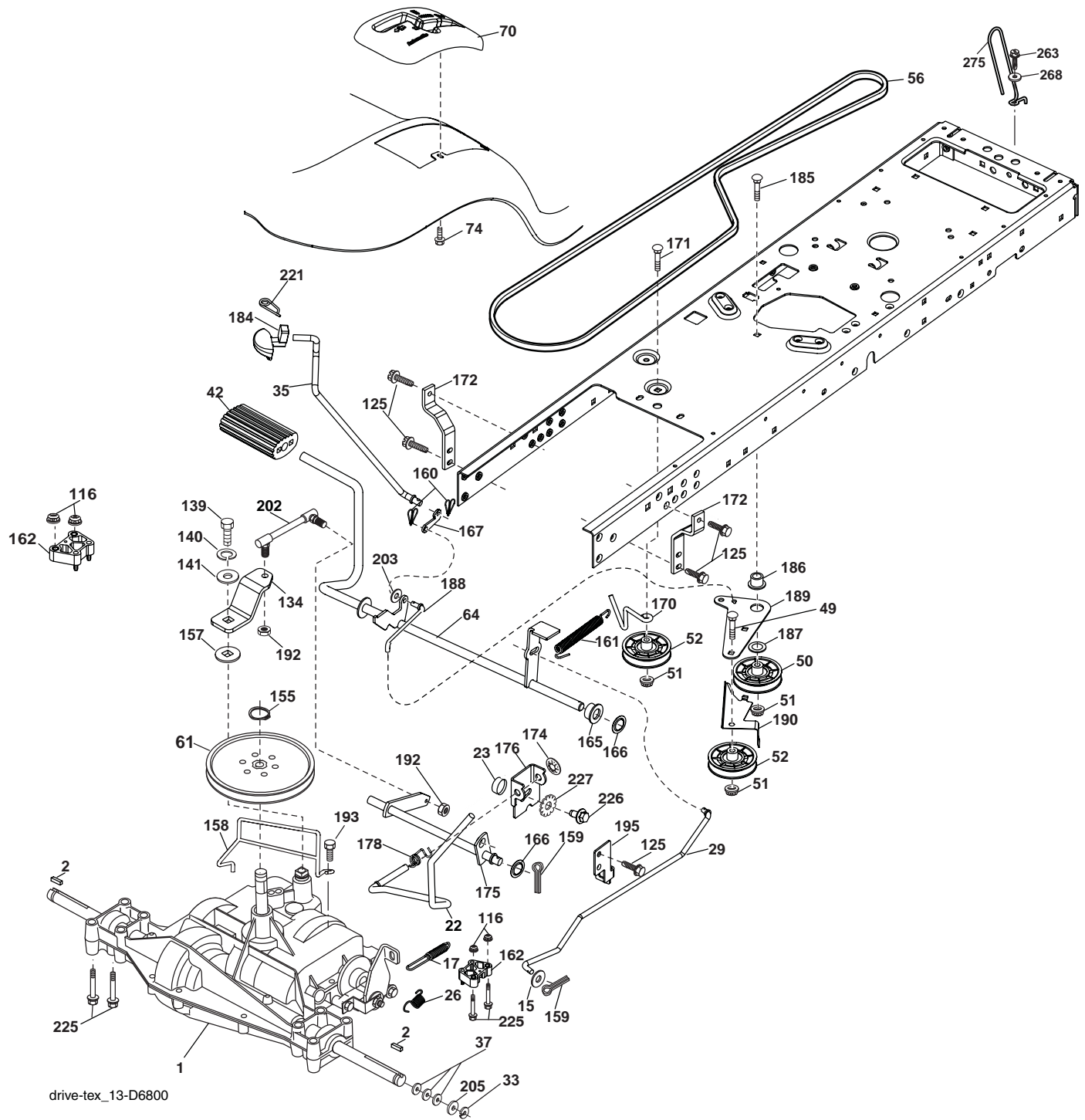
chassis-tex\_LT-pred\_3

**TRACTOR - - MODEL NO. P145107 (96041006100), PRODUCT NO. 960 41 00-61  
CHASSIS**

<b>KEY NO.</b>	<b>PART NO.</b>	<b>DESCRIPTION</b>
2	532 19 42-63	Drawbar
5	532 40 95-97	Dash
14	532 40 95-98	Hood
18	532 40 18-28	Grille
36	817 06 05-12	Screw 5/16-18 x 3/4
37	532 40 97-27	Fender
68	817 49 05-08	Screw Thdrol 5/16-18 x 1/2
130	532 19 16-11	Screw 10 x 3/4 Single Lead-Hex
138	532 40 97-30	Cupholder
150	532 40 89-56	Duct Heat Hood
151	532 18 75-68	Bracket Pivot
152	532 19 43-29	Shield Browning/Debris
153	532 40 97-40	Lens Bar
159	817 00 06-12	Screw Hexwsh Thdrol 3/8-16 x 3/4
162	532 14 24-32	Screw Hex Wsh Hi-Lo 1/4 x 1/2
175	532 19 94-72	Crossmember
176	532 40 07-76	Screw 10-24 x 5/8 Wshd Qdrx
177	532 19 52-28	Bushing Steering
180	532 19 42-60	Chassis
181	532 40 47-96	Bushing Mtg. Fender Crgo.
182	532 19 89-17	Dash Lower
183	874 78 05-20	Bolt Fin Hex 5/16-18 x 1-1/4
191	532 40 18-27	Reflector Insert
194	873 90 05-00	Nut Lock Hex Flange 5/16-18
196	532 41 05-84	Console Asm. Deck Lift
217	532 15 65-24	Rod Pivot Chassis
219	532 19 51-61	Stud Fastener
222	532 13 77-29	Screw Thdrol 1/4-20 x 5/8
225	532 40 95-85	Bumper
230	532 17 01-65	Bolt Shoulder 5/16-18
235	532 40 61-29	Spacer Fender
236	873 93 05-00	Nut Center Lock 5/16-18

**NOTE:** All component dimensions given in U.S. inches  
1 inch = 25.4 mm

TRACTOR - - MODEL NO. P145107 (96041006100), PRODUCT NO. 960 41 00-61  
DRIVE



drive-tex\_13-D6800

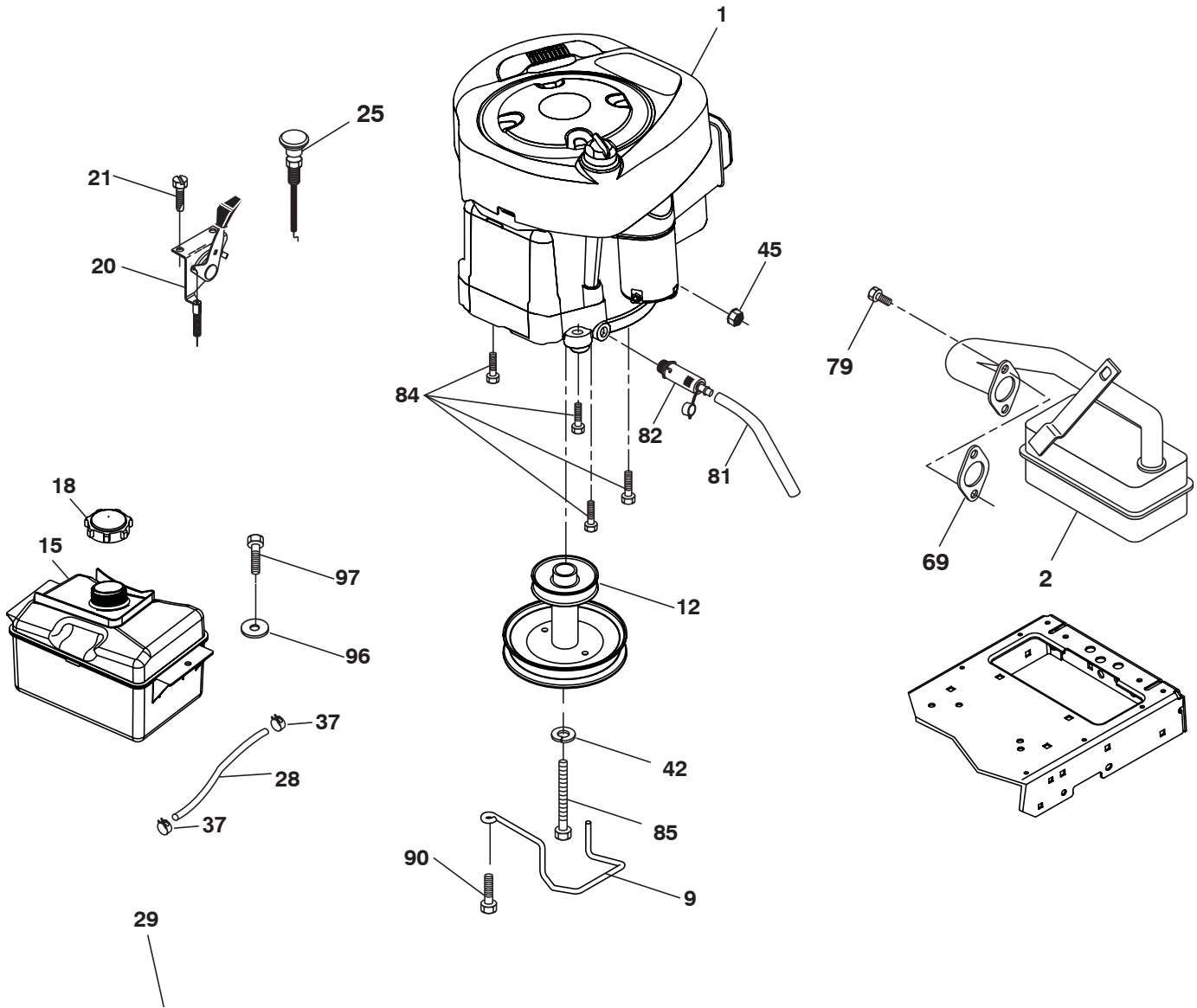


**TRACTOR - - MODEL NO. P145107 (96041006100), PRODUCT NO. 960 41 00-61 DRIVE**

KEY NO.	PART NO.	DESCRIPTION	KEY NO.	PART NO.	DESCRIPTION
1	-----	Transaxle, DANA D6800-1 (Order Parts from Transaxle Manufacturer)	160	532 16 94-84	Retainer Clip
2	532 12 35-83	Key Square	161	532 19 54-03	Spring, Return, Clutch
15	819 13 13-16	Washer 13/32 x 13/16 x 16 Ga.	162	532 19 57-85	Spacer Transaxle
17	532 19 72-97	Spring, Brake	165	532 19 62-12	Bushing Shaft Brake Hand Control
22	532 19 76-60	Rod Shift	166	532 19 72-90	Nut Push .625
23	532 17 16-74	Knob 1/2-13	167	532 40 52-57	Latch Brake Parking
26	532 19 74-55	Spring Brake Return	170	532 19 43-22	Keeper Belt Centerspan
29	532 19 72-67	Rod, Brake	171	<b>872 11 06-22</b>	Bolt
33	812 00 00-01	Ring E	172	532 19 76-57	Strap Torque LH
35	532 40 10-31	Rod, Brake, Park	174	532 19 72-89	Nut Push
37	532 12 17-49	Washer 25/32 x 1-1/4 x 16 Ga.	175	532 19 89-81	Shaft Asm. Shift
42	532 12 48-72	Cover, Foot Pedal	176	532 19 62-14	Arm Clevis Rod Shift
49	872 11 06-14	Bolt	178	532 19 74-56	Spring Shift
50	532 19 43-27	Pulley Idler Flat	184	532 40 97-47	Knob
51	873 90 06-00	Lock Nut 3/8-16	185	872 11 06-20	Bolt
52	<b>532 40 72-87</b>	Idler V-Groove 1.688 Offset	186	532 19 43-21	Spacer Retainer
56	532 19 43-46	V-Belt, Drive	187	819 13 32-10	Washer
61	532 12 36-66	Pulley transaxle	188	532 19 43-23	Link Clutch Ground Drive
64	53219 62-00	Shaft Asm. Pedal Brake Control	189	532 19 43-17	Bellcrank Ground Drive
70	532 41 12-90	Console	190	532 19 43-18	Keeper Bellcrank Ground Drive
74	532 14 24-32	Screw 1/4 x 1/2	192	532 15 03-60	Nut Lock Center 1/4-28 Fnthd
116	873 90 05-00	Nut Lock Hex Flange 5/16-18	193	817 06 05-12	Screw 5/16-18 x 3/4
125	817 00 05-12	Screw 5/16-18 x 3/4	195	532 19 73-32	Bracket Brake Rod
134	532 40 24-30	Asm Shift	202	532 19 95-89	Link Transaxle
139	874 55 04-12	Bolt 1/4-28 unf Gr. 8 w/Patch	203	819 11 11-16	Washer 11/32 x 11/16 x 16 Ga.
140	810 04 04-00	Washer Lock Hvy Helical 1/4	205	532 12 17-48	Washer 25/32 x 1-5/8 16 Ga.
141	819 09 12-10	Washer 9/32 x 3/4 x 10 Ga.	221	532 40 31-87	Retainer Spring Clip Handle
155	812 00 00-28	Ring Retainer	225	874 49 05-60	Bolt 5/16-18 x 3.75
157	532 10 57-01	Washer Plate Shift	226	874 78 07-16	Bolt Fin Hex 7/16 - 14 x 1 GR5
158	532 19 43-52	Belt Keeper	227	532 40 52-96	Washer Serrated
159	876 02 04-12	Pin Cotter 1/8 x 3/4	263	817 00 06-12	Screw 3/8-16 x 3/4
			268	819 13 16-14	Washer 13/32 x 1 x 14 Ga.
			275	532 18 24-02	Guard Muffler

**NOTE:** All component dimensions given in U.S. inches  
1 inch = 25.4 mm

**TRACTOR - - MODEL NO. P145107 (96041006100), PRODUCT NO. 960 41 00-61  
ENGINE**



**OPTIONAL EQUIPMENT**  
**Spark Arrester**

engine-bs-1cyl-tex\_11

# TRACTOR - - MODEL NO. P145107 (96041006100), PRODUCT NO. 960 41 00-61 ENGINE

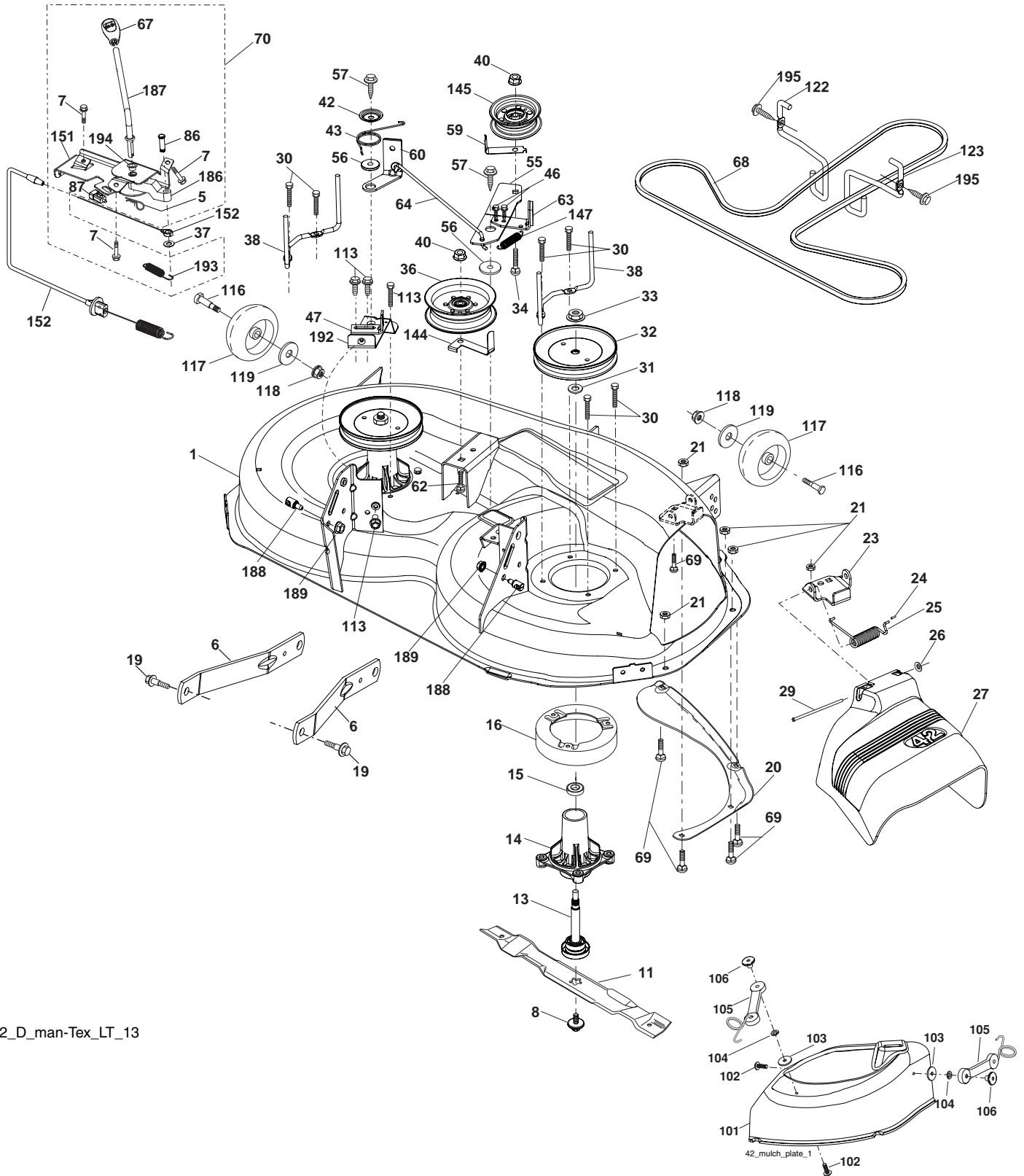
KEY PART NO.	PART NO.	DESCRIPTION	KEY PART NO.	PART NO.	DESCRIPTION
1	-----	Engine B&S Model No. 31A507 (See Engine Breakdown)	37	532 12 34-87	Clamp Hose
2	532 13 73-52	Muffler	42	810 04 07-00	Washer Lock 7/16
9	532 19 43-19	Keeper Belt Engine	45	873 51 04-00	Nut Keps Hex 1/4-20 unc
12	532 40 19-85	Pulley Engine	69	532 16 52-91	Gasket
15	532 40 75-45	Tank Fuel	79	532 19 23-34	Screw Socket Hd 5/16-18 x .75
18	532 19 77-25	Cap Asm	81	532 14 84-56	Tube Drain Oil Easy
20	532 41 17-24	Control Throttle/Choke	82	532 18 16-54	Plug Drain Oil
21	532 19 16-11	Screw 10 x 3/4 Single Lead-Hex	84	817 06 06-20	Screw 3/8-16 x 1-1/4
25	532 19 49-81	Control Choke	85	532 17 39-37	Bolt Hex 7/16-20 x 4 x Gr. 5-1.5
28	532 13 70-40	Fuel Line	90	817 00 06-16	Screw 3/8-16 x 1.0
29	532 13 71-80	Spark Arrester Kit	96	819 09 14-16	Washer 9/32 x 7/8 x 16 Ga
			97	817 67 04-12	Screw Hexwsh Thdrol 1/4-20 x 3/4

**NOTE:** All component dimensions given in U.S. inches  
1 inch = 25.4 mm

## Engine Power Rating Information

The gross power rating for individual gas engine models is labeled in accordance with SAE (Society of Automotive Engineers) code J11940 (Small Engine Power & Torque Rating Procedure), and rating performance has been obtained and corrected in accordance with SAE J1995 (Revision 2002-5). Actual gross engine power will be lower and is affected by, among other things, ambient operating conditions and engine-to-engine variability. Given both the wide array of products on which engines are placed and the variety of environmental issues applicable to operating the equipment, the gas engine will not develop the rated gross power when used in a given piece of power equipment (actual "on-site" or net horsepower). This difference is due to a variety of factors including, but not limited to, accessories (air cleaner, exhaust, charging, cooling, carburetor, fuel pump, etc.), application limitations, ambient operating conditions (temperature, humidity, altitude), and engine-to-engine variability. Due to manufacturing and capacity limitations, Briggs & Stratton may substitute an engine of higher rated power for this Series engine.

**TRACTOR - - MODEL NO. P145107 (96041006100), PRODUCT NO. 960 41 00-61  
MOWER DECK**



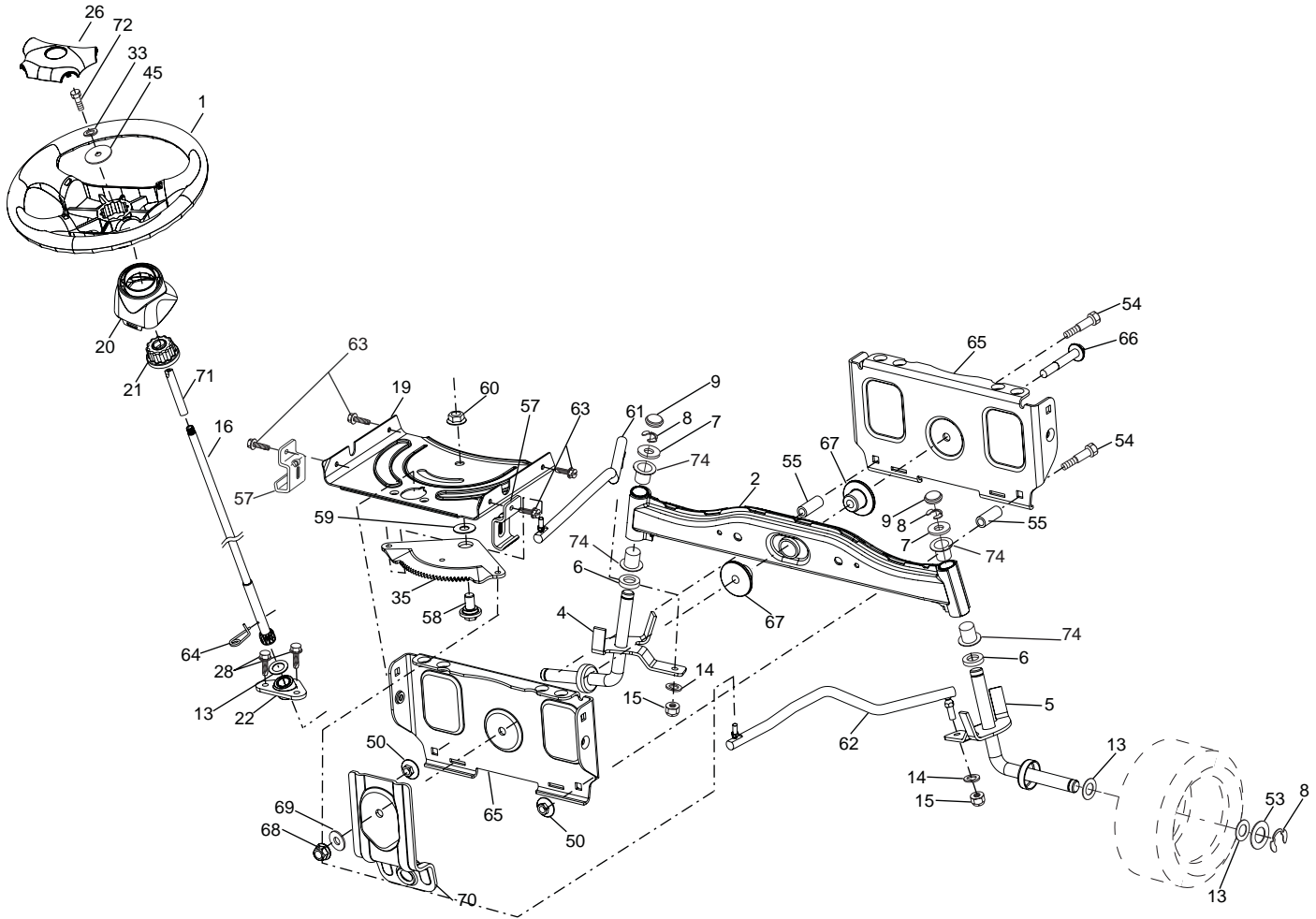
42\_D\_man-Tex\_LT\_13

**TRACTOR - - MODEL NO. P145107 (96041006100), PRODUCT NO. 960 41 00-61  
MOWER DECK**

KEY NO.	PART NO.	DESCRIPTION	KEY NO.	PART NO.	DESCRIPTION
1	532 19 64-95	Mower Housing	62	872 11 06-16	Bolt Rdhd Sqnk 3/8-16 unc x 2
5	532 12 46-70	Retainer Spring	63	532 19 94-77	Arm Brake Mower
6	532 19 51-86	Arm Suspension	64	532 19 97-90	Linkage Brake
7	532 19 16-11	Screw 10 x 3/4 Single Hex	67	532 40 97-92	Handle, Clutch Cable
8	532 19 30-03	Bolt/Washer asm 7/16-20 unf	68	532 19 72-53	V-Belt
11	532 13 41-49	Blade, 42" Hi-Lift (For bagging or discharge)	69	872 14 05-05	Bolt Rdhd Sqnk 5/16-18 x 5/8
13	532 19 28-72	Shaft Assembly, Mandrel	70	532 40 12-46	Clutch Asm. Manual
14	532 18 72-81	Housing, Mandrel	86	532 19 77-98	Pin Attachment Cable
15	532 11 04-85	Bearing, Ball, Mandrel	87	532 19 78-02	Switch Interlock
16	532 17 44-93	Stripper, Mower Deck	101	532 19 31-07	Cover Mulching
19	532 19 65-39	Bolt, Shoulder	102	871 08 10-10	Screw Pan HD Phil 10-24 x 5/8
20	532 15 97-70	Baffle, Vortex	103	819 06 12-16	Washer #10
21	873 68 05-00	Nut Crown Lock 5/16-18	104	810 07 10-00	Washer Lock #10
23	532 19 25-57	Bracket, Deflector	105	532 16 07-93	Latch Asm Mulch
24	532 10 53-04	Cap, Sleeve	106	532 12 50-04	Nut Weld
25	532 19 70-26	Spring, Torsion, Deflector	113	817 00 05-10	Screw 5/16-18
26	532 11 04-52	Nut, Push	116	532 12 48-42	Bolt, Shoulder
27	532 40 30-04	Shield, Deflector	117	532 18 86-06	Wheel, Gauge
29	532 13 14-91	Rod, Hinge	118	873 93 06-00	Nut, Crownlock 3/8-1
30	532 17 39-84	Screw Thdrol Rolling Wsh Hd	119	819 12 14-14	Washer 13/32 x 7/8 x 14 Ga.
31	532 18 76-90	Washer, Spacer	122	532 19 72-58	Keeper Belt Eng. LH
32	532 19 74-73	Pulley, Mandrel	123	532 19 72-59	Keeper Belt Eng. RH
33	532 40 02-34	Nut, Toplock, Flanged	144	532 19 92-04	Keeper Belt
34	872 11 06-12	Bolt Carr Sh. 3/8-16 x 1-1/2 Gr. 5	145	532 19 73-79	Pulley Idler
36	532 19 31-97	Pulley, Idler, Flat	147	532 40 19-71	Spring Return
37	819 13 13-16	Washer 13/32 x 13/16 x 16 Ga.	151	532 40 12-44	Bracket Clutch CBL
38	532 19 91-89	Keeper Belt LH Mandrel	152	532 40 87-14	Cable Clutch Manual w/Spr.
40	873 90 06-00	Nut, Lock Flg. 3/8-16 unc	186	532 19 77-99	Arm Acutator CL Cable
42	532 19 84-10	Spring Torsion Brake	187	532 40 12-45	Lever Control CL Cable
43	532 19 72-56	Spring Torsion Retainer	188	532 19 51-61	Stud Fastener
46	532 13 77-29	Screw Thd Roll 1/4-20 x 5/8	189	873 90 05-00	Nut Lock Hex Flange
47	532 19 72-50	Bracket Clutch Cable	192	532 19 72-60	Bracket Brake Stand LH
55	532 19 72-49	Arm, Idler	193	532 19 78-01	Spring Plunger Actuator
56	532 19 90-92	Spacer, Retainer	194	532 19 77-97	Bearing Control Lever Clutch
57	817 00 06-16	Screw Hexwsh Thd 3/8-16 x 1	195	817 00 06-12	Screw Hexwsh Thdr 3/8-16 x 3/4
59	532 14 10-43	Guard, Tuv Idler (94)	--	532 19 28-70	Mandrel Assembly (Includes housing, shaft and shaft hardware only-pulley not included)
60	532 19 72-61	Arm Brake Mower	--	532 40 51-26	Replacement Mower, Complete

**NOTE:** All component dimensions given in U.S. inches  
1 inch = 25.4 mm

**TRACTOR - - MODEL NO. P145107 (96041006100), PRODUCT NO. 960 41 00-61  
STEERING ASSEMBLY**



steering-tex\_11-It

**KEY PART  
NO. NO.**

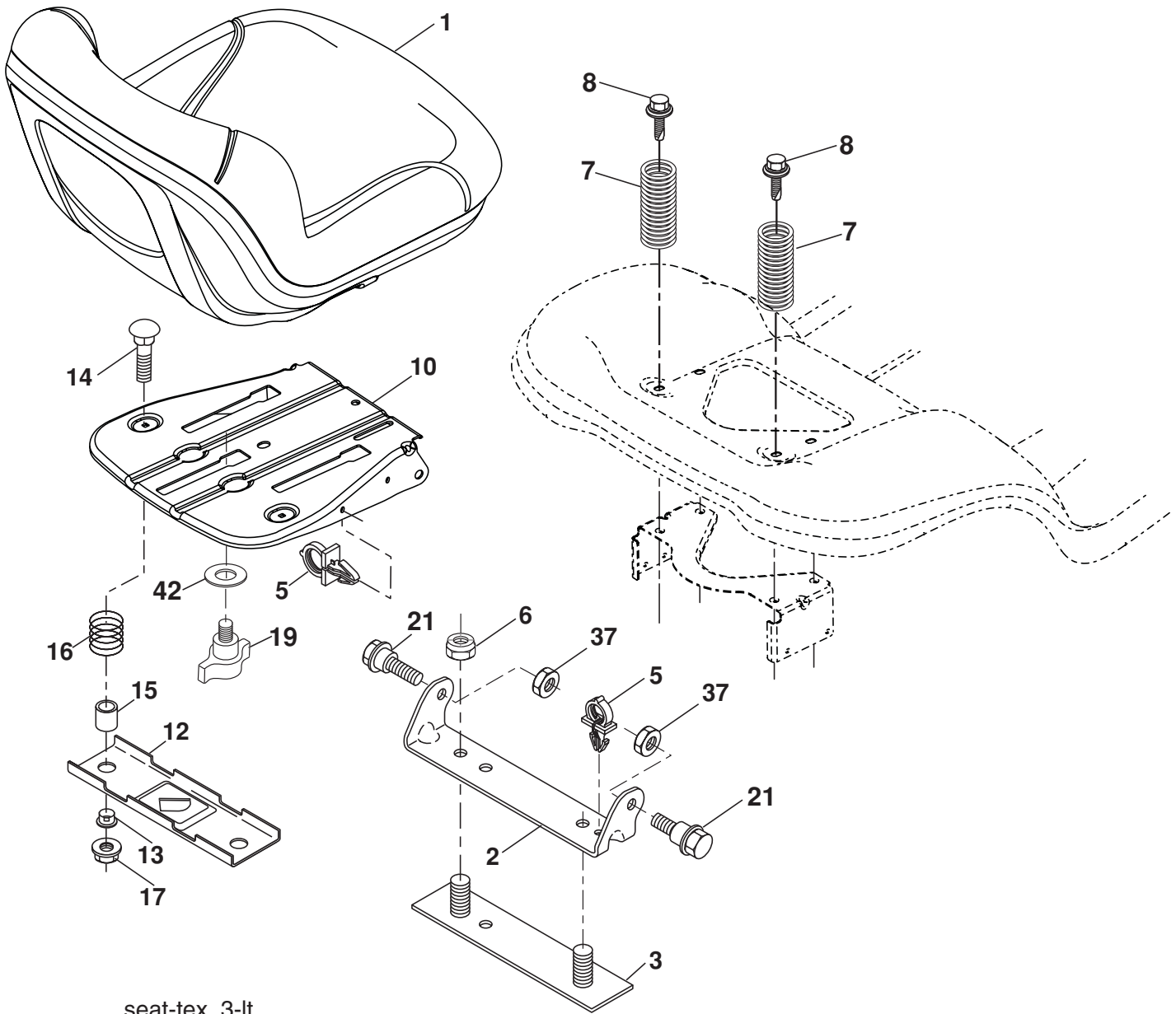
KEY PART NO.	NO.	DESCRIPTION
1	532 19 45-95	Wheel, Steering
2	532 19 56-73	Axle Asm., Front
4	532 40 30-87	Spindle Asm., LH
5	532 40 30-88	Spindle Asm., RH
6	532 12 49-31	Bearing, Race Thrust Harden
7	532 12 17-48	Washer 25/32 x 1-5/8 x 16 Ga.
8	812 00 00-29	Ring, Klip #T5304-75
9	532 12 12-32	Cap, Spindle
13	532 12 17-49	Washer 25/32 x 1-1/4 x 16 Ga.
14	810 04 06-00	Washer, Lock Hvy Hlcl Spr 3/8
15	873 54 06-00	Nut, Crown Lock 3/8-24 unf
16	532 19 60-74	Shaft Steering
19	532 19 47-29	Plate Steering
20	532 40 97-63	Boot, Steering
21	532 18 67-37	Adapter, Wheel Steering
22	532 19 48-45	Bushing, Strg. Blk
26	532 19 46-03	Insert, Wheel Steering
28	817 00 06-12	Screw 3/8-16 x 3/4
33	810 04 05-00	Washer Lock 5/16
35	532 19 47-32	Gear, Sector Plate
45	819 11 38-12	Washer 11/32 x 2-3/8 x 12 Ga.

**KEY PART  
NO. NO.**

KEY PART NO.	NO.	DESCRIPTION
50	873 90 06-00	Nut Lock Flg 3/8-16 unc
53	532 18 89-67	Washer Hardened .793 x 1.637 x .060
54	874 76 06-36	Bolt Hex HS 3/8-16 unc x 2-1/4
55	532 19 76-36	Spacer Brace Axle
57	532 40 74-65	Bracket Upstop
58	532 19 47-47	Bolt Shoulder Sector Pivot CFM
59	532 19 47-48	Washer Thrust Sector Steering
60	873 97 10-00	Nut Flange Lock 5/8-11
61	532 19 47-40	Draglink LH
62	532 19 47-41	Draglink, RH
63	817 00 05-12	Screw 5/16-18 x 3/4
64	532 19 98-49	Retainer Clip Spring Steering
65	532 19 47-34	Brace Axle Front
66	871 02 07-48	Bolt Hex Fghd 7/16-14 x 3 Serr
67	532 19 47-37	Bushing PM Front Axle
68	873 90 07-00	Nut Lock Flange 7/16-14 Gr. 5
69	532 19 91-62	Washer 1.5 x .505 x .118
70	532 19 61-97	Bracket Deck Susp. Front
71	532 19 60-75	Shaft Ext. Steering
72	874 78 05-72	Bolt 5/16-18 x 4.5 Gr. 5
74	532 12 49-37	Bearing

**NOTE:** All component dimensions given in U.S. inches  
1 inch = 25.4 mm

**TRACTOR - - MODEL NO. P145107 (96041006100), PRODUCT NO. 960 41 00-61  
SEAT ASSEMBLY**

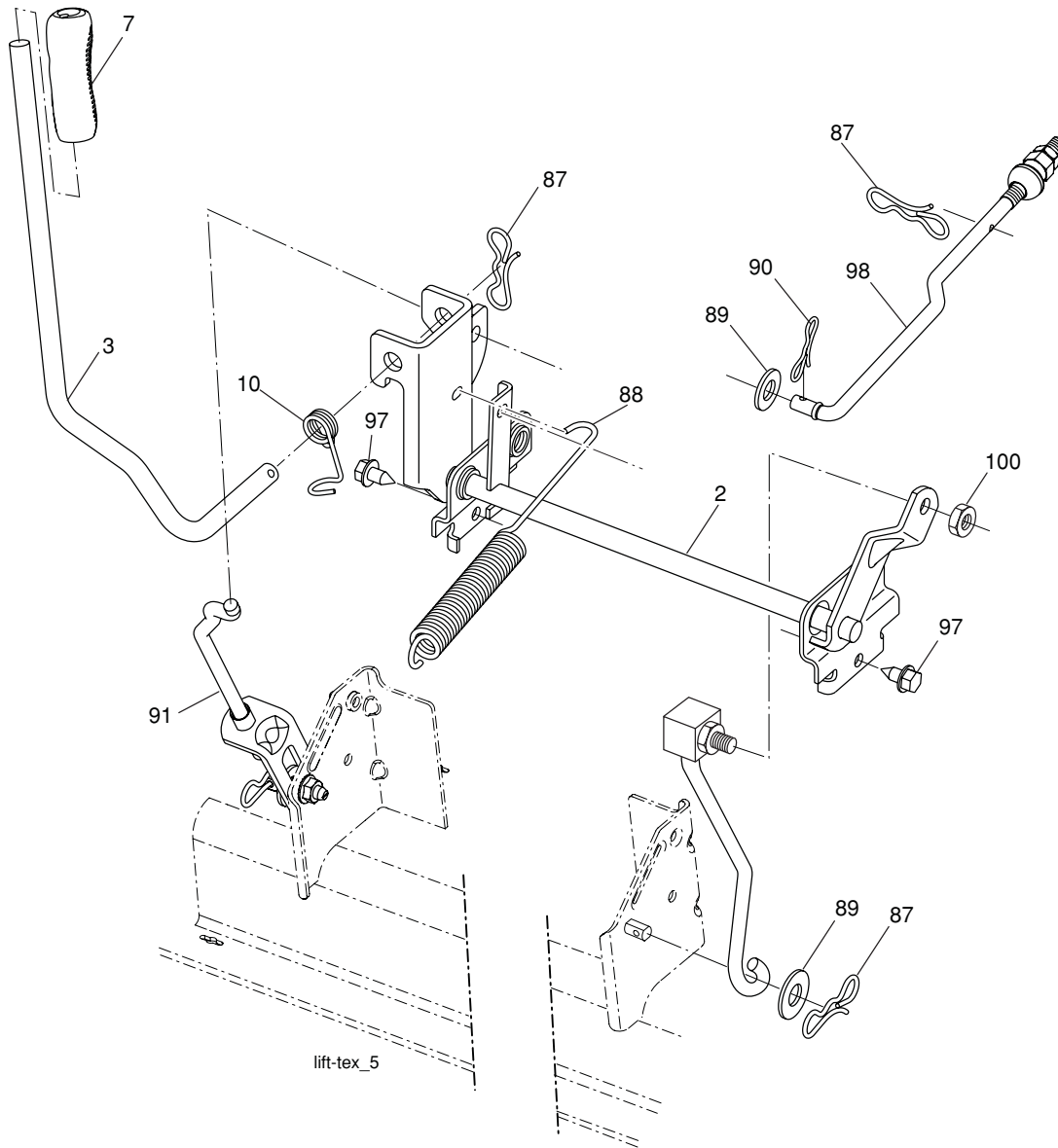


seat-tex\_3-lt

KEY PART NO.	PART NO.	DESCRIPTION	KEY PART NO.	PART NO.	DESCRIPTION
1	532 19 75-11	Seat	13	532 12 12-48	Bushing Snap
2	532 18 01-66	Bracket Pivot Fender	14	872 05 04-12	Bolt 1/4-20 x 1.50
3	532 14 06-75	Strap, Asm Fender	15	532 13 43-00	Spacer Split
5	532 14 50-06	Clip Push-In	16	532 12 37-40	Spring
6	873 80 06-00	Nut, Lock W/Ins. 3/8-16 unc	17	532 12 39-76	Nut Lock 1/4
7	532 12 41-81	Spring, Seat Cprsn	19	532 19 93-72	Knob Seat
8	532 17 18-77	Bolt 5/16-18 uncx 3/4 w/Sems	21	532 17 18-52	Bolt, Shoulder 5/16-18
10	532 19 91-80	Pan, Seat	37	873 80 05-00	Nut, Lock 5/16-18 unc
12	532 19 93-70	Bracket Mtg. Seat	42	532 19 93-71	Washer

**NOTE:** All component dimensions given in U.S. inches  
1 inch = 25.4 mm

**TRACTOR - - MODEL NO. P145107 (96041006100), PRODUCT NO. 960 41 00-61  
MOWER LIFT**



lift-tex\_5

KEY NO.	PART NO.	DESCRIPTION
2	532 19 52-23	Shaft Asm., Lift
3	532 19 52-31	Lever Asm., Lift Rh
7	532 41 17-42	Grip, Lever
10	532 19 63-14	Spring Torsion
87	532 19 42-09	Pin Cotter 7/16 Bow Tie Lock
88	532 41 07-10	Spring Lift Assist
89	819 19 19-12	Washer Clear Zinc
90	532 19 42-08	Pin Cotter 5/16 Bow Tie Lock

KEY NO.	PART NO.	DESCRIPTION
91	532 19 51-81	Link Lift Susp Mower Rear
97	817 06 06-12	Screw 3/8-16 x .75 Smgml Tap/R.Z
98	532 19 52-70	Link Lift Susp. Front Mower
100	873 93 06-00	Nut Centerlock 3/8-16 unc

**NOTE:** All component dimensions given in U.S. inches  
1 inch = 25.4 mm